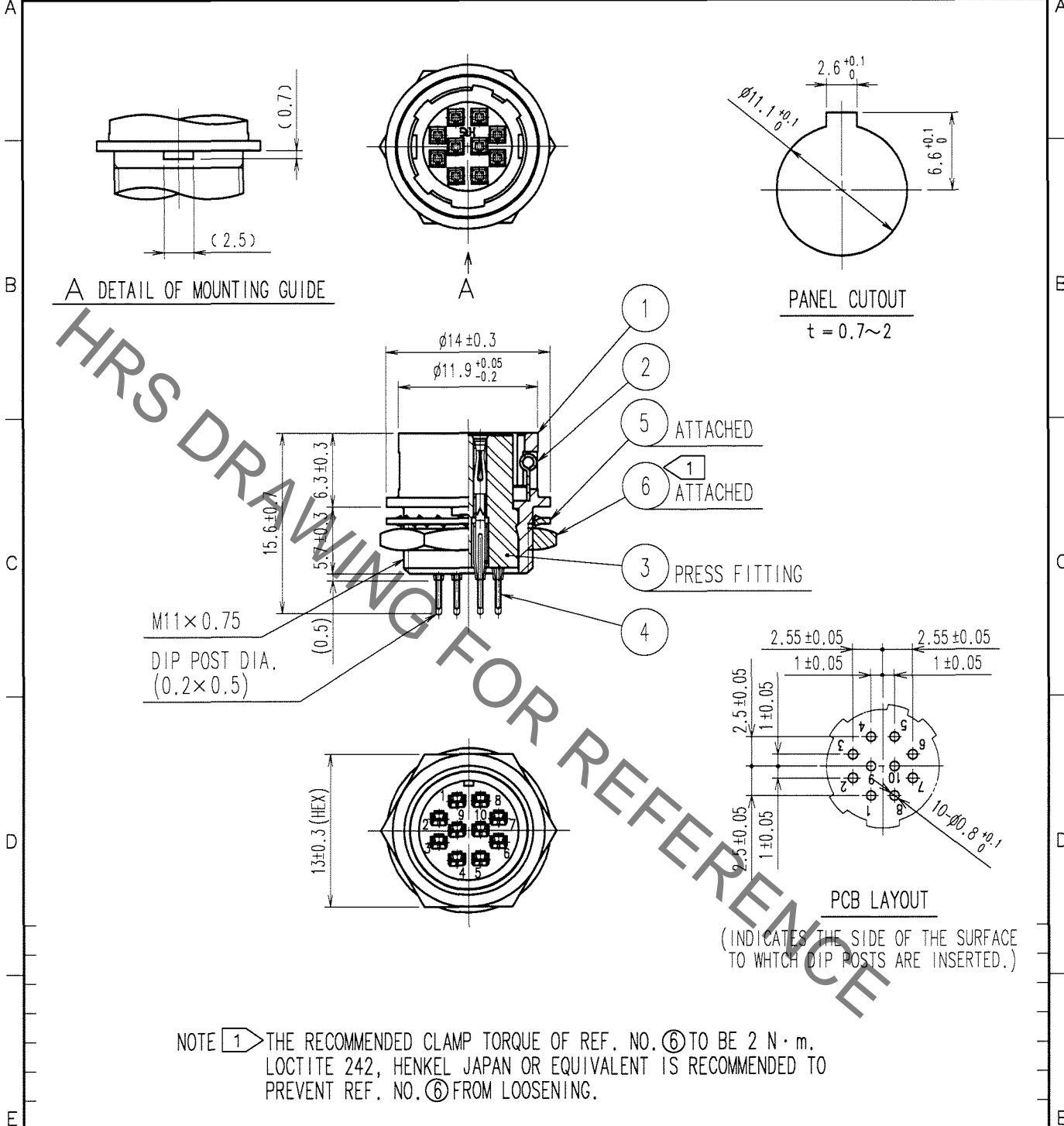


Sep.1.2021 Copyright 2021 HIROSE ELECTRIC CO., LTD. All Rights Reserved.
 In case of consideration for using Automotive equipment / device which demand high reliability, kindly contact our sales window correspondents.

COUNT	DESCRIPTION OF REVISIONS	BY	CHKD	DATE	COUNT	DESCRIPTION OF REVISIONS	BY	CHKD	DATE
1	DIS-C-000585	T.K	E.K	07.07.27					



NOTE ① THE RECOMMENDED CLAMP TORQUE OF REF. NO. ⑥ TO BE 2 N · m.
 LOCTITE 242, HENKEL JAPAN OR EQUIVALENT IS RECOMMENDED TO
 PREVENT REF. NO. ⑥ FROM LOOSENING.

NO.	MATERIAL	FINISH, REMARKS	NO.	MATERIAL	FINISH, REMARKS
3	PBT	(BLACK) UL94V-0	6	BRASS	NICKEL PLATING
2	STAINLESS STEEL		5	PHOSPHOR BRONZE	NICKEL PLATING
1	ZINC ALLOY	MATTE FINISH NICKEL PLATED	4	PHOSPHOR BRONZE	SILVER PLATING 2μ m min.

CODE NO. (OLD) CL	DRAWN H.KISHI '05 08 31	DESIGNED H.KISHI '05 08 31	CHECKED E.KUNII '05 09 02	APPROVED M.SATO '05 09 02	RELEASED
----------------------	-------------------------------	----------------------------------	---------------------------------	---------------------------------	----------

TO
R

 SCALE 2 : 1 UNITS mm	DRAWING NO. EDC4-022531-71 HIROSE ELECTRIC CO., LTD.	PART NO. HR10A-10R-10SB(71) CODE NO. CL110-0413-6-71	1 1
-----------------------------------	--	---	--------